

Commercial Bath Accessories Technical Specification

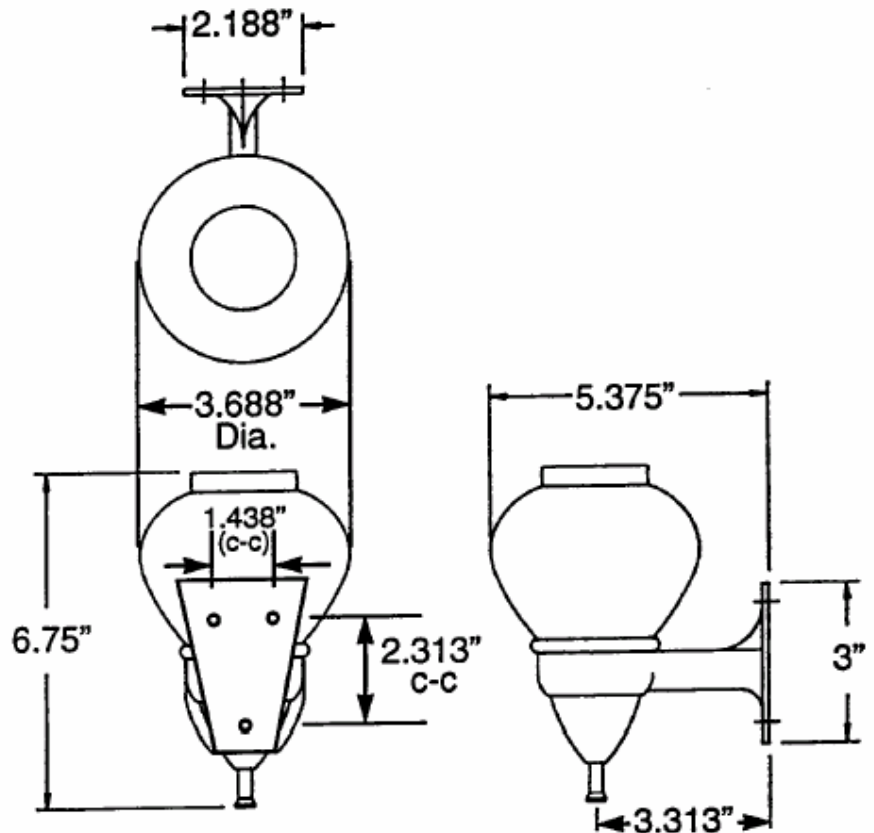
Liquid Soap Dispenser

RR120

Stock Numbers:

- q RR120CH – Liquid Soap Dispenser
Chrome Finish
White Globe
Gravity Operated Valve
16 oz. Capacity

Dimensions:



Materials:

Liquid Soap Dispenser base bracket is constructed of plastic with a triple plated polished chrome finish. The valve is brass with a triple plated polished chrome finish. The globe is white translucent plastic.

Installation Instructions:

Unscrew globe/valve from base bracket. Mount bracket on wall surface with $\frac{3}{4}$ " steel screws enclosed. Reassemble globe and valve to bracket.

To fill: Unscrew globe/valve assembly from base. Valve then unscrews from globe for filling.

Note: Wood blocking is preferable behind all wall surfaces. If wood blocking is not available, the following optional fasteners may be used: Tile / Masonry – Plastic or Lead Anchors; Plaster / Drywall – Toggle Bolts.

Stock Number: _____ Liquid Soap Dispenser
By Creative Specialties



25300 AL MOEN DRIVE • NORTH OLMS TED, OH 44070
CORPORATE HEADQUARTERS: (800) 321-8809 • FAX: (800) 848-6636
INTERNATIONAL: (440) 962-2000 • FAX: (440) 962-2726
CUSTOMER SERVICE (USA): 800-882-0116 • FAX: (888) 379-2720
WWW.CSI.MOEN.COM

©Copyright Creative Specialties International 2006